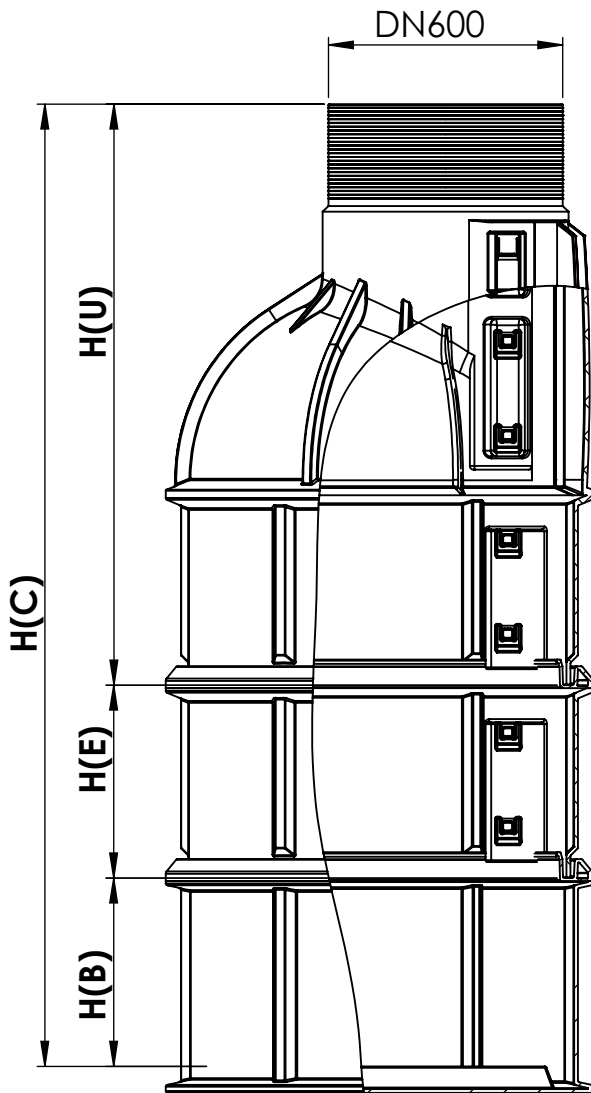
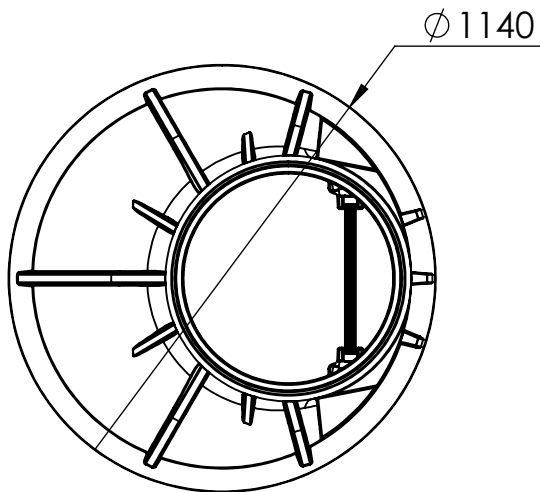


FB100/XXX



H(cm)	FB100/XXX
H(B)	50
H(E)	50
H(U)	100, 125, 150, 175, 200
H(C)	150, 175, 200, 225, 250, 275, 300, 325, 350, 375, 400, 425, 450,



FB100/XXX

