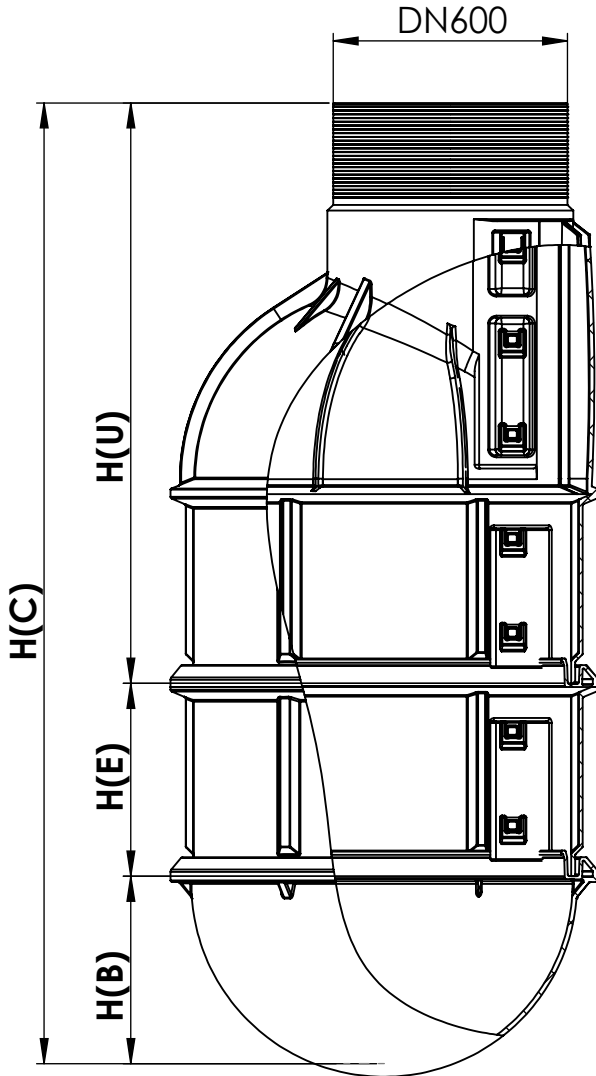
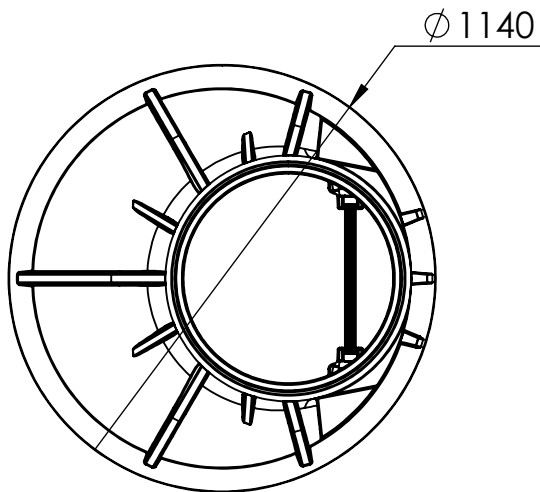


RB100/XXX



H(cm)	RB100/XXX
H(B)	50
H(E)	50
H(U)	100,125,150,175,200
H(C)	150, 175, 200, 225, 250, 275, 300, 325, 350, 375, 400, 425, 450,



RB100/XXX

