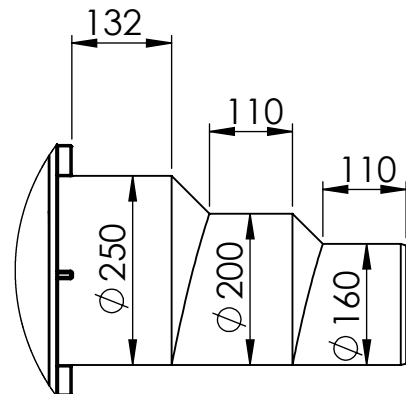
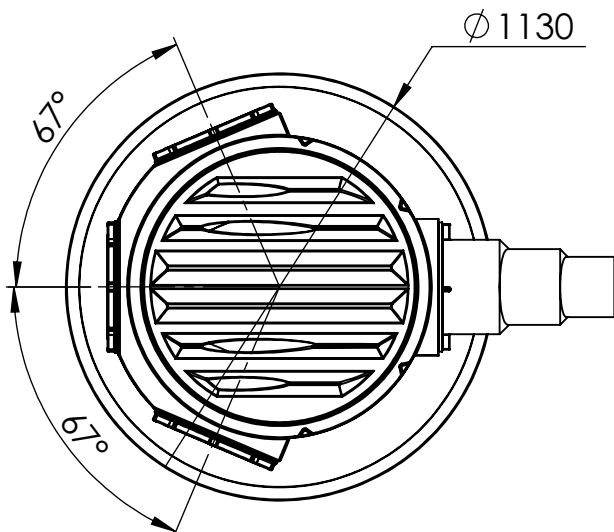


H(cm)	3DWB 100/XXX250
H(B)	50
H(E)	50
H(U)	100,125,150,175,200
H(C)	150, 175, 200, 225, 250 275, 300, 325, 350, 375 400,

Ø	Ø min	Ø max
160	159	160.5
200	199	200.6
250	249	250.8



DETAIL A
SCALE 1 : 10

